

Module socket strip 3-fold

Item-No.: 0107x0031



Robust plastic, white

Built-in sockets (90° rotated), round

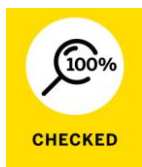
Extra large space in between sockets 64 mm

Easy, secure and fast connection – no tools required

Linked by the Wieland GST 18i3 connector


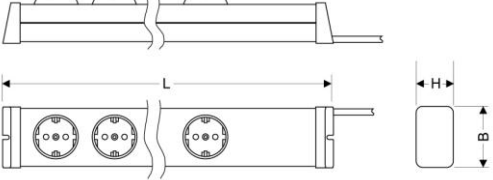
Expanded contact protection by using a shutter

End caps with mounting opening



Module socket strip 3-fold

Technical data

<p>3.600 W Power</p>	<p>250 V ~ / 50 Hz Rated Voltage</p>	<p>16 A Rated Current</p>
<p>Sockets: earthing contact Type F With mounting holes Safety class: IP20</p>		
 <p>(similar illustration)</p>		
<p>Item-No. 0107x0031</p>	<p>EAN 4012096010739</p>	<p>PU 10</p> <p>298 x 74 x 47 mm Dimensions (L x B x H)</p>