

Main protection, operator protection and line protection module socket strip 1-fold with switch

Item-No.: 0111x0031



Robust plastic, white

Built-in sockets (90° rotated), round

Easy, secure and fast connection – no tools required

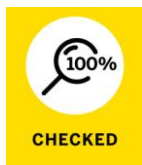
Linked by the Wieland GST 18i3 connector

Personal protection through RCD (30 mA / <30ms)

Circuit breaker 16A


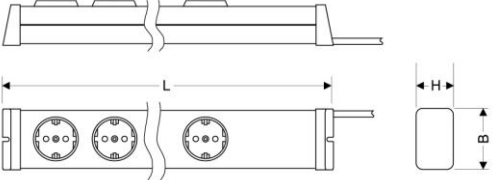
Expanded contact protection by using a shutter

End caps with mounting opening



Main power- and personal protection outlet module socket strip 1-fold with switch

Technical data

<p>3.600 W Power</p>	<p>250 V ~ / 50 Hz Rated Voltage</p>	<p>16 A Rated Current</p>
<p>Sockets: earthing contact Type F Switch: 2-pole, illuminated (red) Personal Protection: ELCB (30 mA / <30ms) Circuit breaker: 16A Own Consumption: < 0,5 W</p>		
 <p>(similar illustration)</p>		
<p>Item-No. 0111x0031</p>	<p>EAN 401209601110 1</p>	<p>PU 10</p> <p>298 x 74 x 47 mm Dimensions (L x W x H)</p>