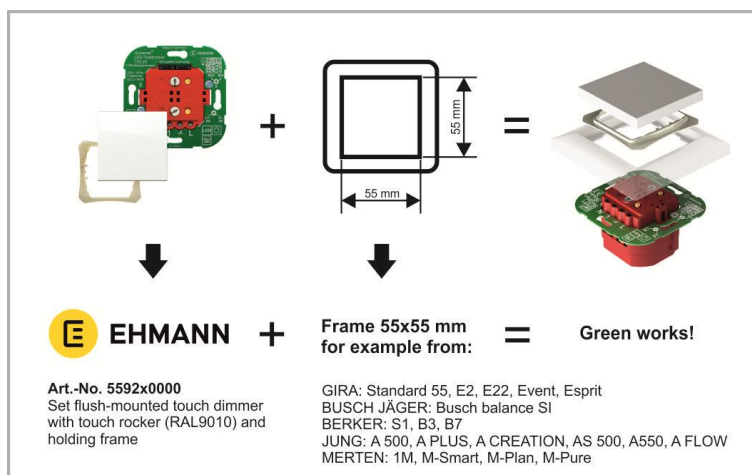
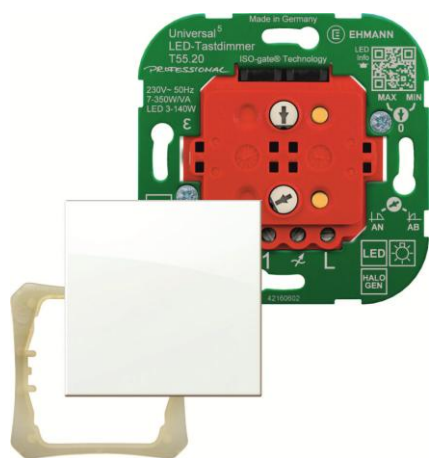


Universal LED Push Button Dimmer T55.20 Professional

Item-no.: 5592x0000

Dimmer set with rocker (RAL9010) and holding frame (plug & play)



High-performance LED-push button dimmer for reliable dimming, independent from manufacturer/type of LED

Compatible with all 55x55mm switch ranges

Freely selectable setting of dimming principle (leading or trailing edge), manually switchable

Usability for extension, push button dimmer applicable as dimmable extension

Memory-Function – memorizes the last light value

Extra features - night & max. function (start with min./max. brightness)

ISO-gate® Technology – For a maximum of power and LED compatibility

Silent Technology – Operates utterly quiet

Easy optimization for flicker-free dimming by adjusting the minimum and maximum brightness

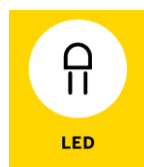
Automatic detection of neutral conductor, therefore possibility of 2 or 3 wire connection

Electronic overload/short-circuit protection and temperature protection with automatic reactivation

EHMANN advantage - 100 % quality assurance, 5 years warranty, German manufacturer

EHMANN service - Up to date LED recommendation accessible via imprinted QR-code at any time

EHMANN quality - High-grade manufacturing and reliable function



Universal LED Push Button Dimmer T55.20 Professional

Technical Data

<p>3 - 140 W LED rated power</p>	<p>7 - 350 W/VA Rated power</p>	<p>230 V ~ (+/- 10%) / 50 Hz Rated voltage</p>	
<p>Suitable for dimmable LEDs, LED-driver, filament LEDs, incandescent- and HV- and LV-halogen lamps. HAZARD WARNING! With inductive loads, the dimmer needs to be operated with the leading-edge principle and without neutral conductor.</p>			
<p>Scope of delivery: Dimmer, holding frame, 55mm rocker Working principle: leading / trailing edge Function: via rocker Connection: screw terminals up to 2 x 2,5 mm² (rigid) Temperature protection: resettable thermal switch Overload/short-circuit protection: electronic Stand-by usage: < 0,5 W Switch off: Electronic shutdown ε Colour of the rocker: pure white, similar to RAL9010</p>			
 <p>ISO-gate® Technology for maximum power range and LED compatibility Due to the ISO-gate® technology there is a dynamic interaction between dimmer and LED. It is based on the combination of the new EHMANN developed “natural triggering” software and powerful MOSFET transistors.</p>			
<p>Leading edge Trailing edge The dimming principle can be switched manually to leading or trailing edge. Depending on which dimming principle fits to the used lamp.</p> 	<p>MIN/MAX optimization In case of flickering during dimming the LED lamp, you can try to adjust in the lowest and highest dimming range the minimum and maximum brightness to optimize the dimming behavior.</p> 	<p>LED recommendation Shows which LEDs are compatible with this dimmer. Available via QR code or online at www.ehmann-gmbh.de</p> 	<p>Switch range compatibility Included rocker enables compatibility with 55x55 mm switch ranges. Alternatively operable via EnOcean rocker from different manufacturers. For many more, scan here.</p> 
<p>Please read the product manual carefully before installation and commissioning!</p>			
<p>Item.-no. 5592x0000</p>	<p>EAN 4012096007760</p>	<p>PU 10</p>	<p>71 x 71 x 43 mm Dimensions (L x W x H)</p>