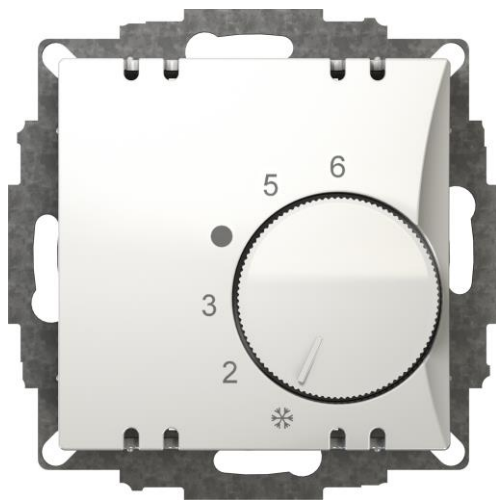


## Room thermostat with break contact

Item-no.:

6193x0201 (white, similar to RAL 9010, 55x55)



With rotary knob and numerical scale (1-6)

Control range from +5 °C up to +30 °C

For flush-mounted switch boxes up to Ø 65 mm

With different standard covers (50 x 50 mm or 55 x 55 mm)

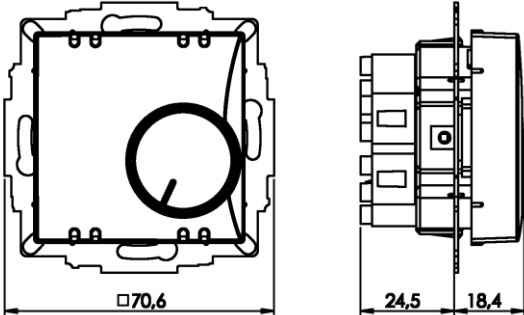
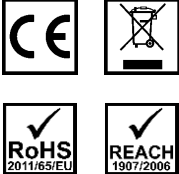
Three shades of white: similar to RAL 9010, to RAL 9016 and to RAL 9003

EHMANN advantage - 100 % quality checks, 5-year warranty, German manufacturer



## Room thermostat with break contact

### Technical data

<b>Max. 10 (4) A</b> <b>Switching capacity break contact</b>	<b>230 V ~ (+/- 10%) / 50 Hz</b> <b>Rated voltage</b>	
<p>Installation: according to DIN 49073</p> <p>Flush-mounted switch box: up to Ø 65 mm</p> <p>Standard covers: 50 x 50 mm or 55 x 55 mm</p> <p>Sensor: Bimetal type 1C</p> <p>Switching differential: ca. 0,5 K</p> <p>Permitted humidity: max. 95 % rH, non-condensing</p> <p>Max. permitted speed of temperature changes of the controlled system: 4K/h</p> <p>Degree of protection: IP 20 after corresponding installation</p>		
		
Item-no. 6193x0201 (white, similar to RAL 9010, 55x55)    EAN 401209600971 9		PU 10 Dimensions: 70,6 x 70,6 x 42,9 mm